

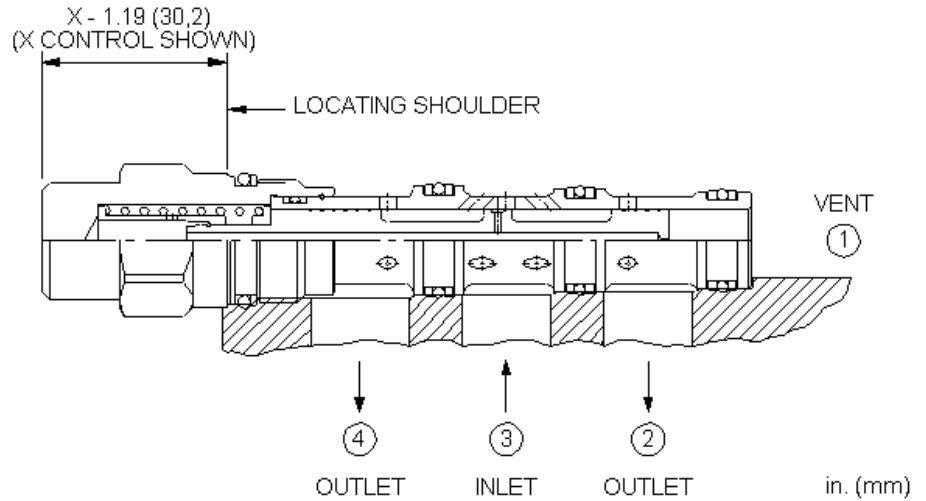
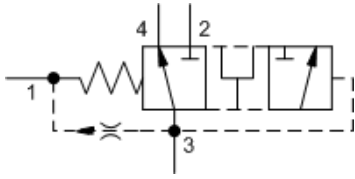
# Directional, Diverter Cartridges

*Powered by Sun **QuickPrint**,  
your on-demand, customized catalogue solution.*

*This information is subject to change without notice. Visit [www.sunhydraulics.com](http://www.sunhydraulics.com) for complete and up to date information.*

DSCY	3-way, 2-position, vent-to-shift diverter valve, normally open	.....1
DSEY	3-way, 2-position, vent-to-shift diverter valve, normally open	.....2
DSGY	3-way, 2-position, vent-to-shift diverter valve, normally open	.....3
DSIY	3-way, 2-position, vent-to-shift diverter valve, normally open	.....4
DSCX	3-way, 2-position, vent-to-shift diverter valve, normally closed	.....5
DSEX	3-way, 2-position, vent-to-shift diverter valve, normally closed	.....6
DSGX	3-way, 2-position, vent-to-shift diverter valve, normally closed	.....7
DSIX	3-way, 2-position, vent-to-shift diverter valve, normally closed	.....8

Series	Ports	Cavities
<b>Series Z Cartridges</b> 3/8-24 UNF Cartridge Thread 5 mm Valve Hex Size 11 - 14 Nm Valve Installation Torque	3-Port	T-382A
<b>Series P Cartridges</b> M16 Cartridge Thread 22,2 mm Valve Hex Size 27 - 33 Nm Valve Installation Torque	2-Port 2-Port (Deep) 3-Port	T-8A T-8DP T-9A
<b>Series 0 Cartridges</b> M16 Cartridge Thread 19,1 mm Valve Hex Size 25,4 mm Valve Hex Size 27 - 33 Nm Valve Installation Torque	2-Port 2-Port (Deep) 3-Port 3-Port 4-Port	T-162A T-162DP T-150A T-163A T-30A
<b>Series 1 Cartridges</b> M20 Cartridge Thread 22,2 mm Valve Hex Size 41 - 47 Nm Valve Installation Torque	2-Port 2-Port 3-Port 4-Port 4-Port 6-Port	T-10A T-13A T-11A T-21A T-31A T-61A
<b>Series 2 Cartridges</b> 1"-14 UNS Cartridge Thread 28,6 mm Valve Hex Size 61 - 68 Nm Valve Installation Torque	2-Port 2-Port 3-Port 4-Port 4-Port 4-Port (Dual path) 6-Port 6-Port	T-3A T-5A T-2A T-22A T-32A T-52AD T-52A T-62A
<b>Series 3 Cartridges</b> M36 Cartridge Thread 31,8 mm Valve Hex Size 203 - 217 Nm Valve Installation Torque	2-Port 3-Port 4-Port 4-Port 4-Port (Dual path) 6-Port 6-Port	T-16A T-17A T-23A T-33A T-53AD T-53A T-63A
<b>Series 4 Cartridges</b> M48 Cartridge Thread 41,3 mm Valve Hex Size 474 - 508 Nm Valve Installation Torque	2-Port 2-Port (Undercut) 3-Port 3-Port (Undercut) 4-Port 4-Port (Undercut) 4-Port 4-Port (Dual path) 6-Port 6-Port	T-18A T-18AU T-19A T-19AU T-24A T-24AU T-34A T-54AD T-54A T-64A



This vent-to-shift diverter valve is a 2-position, 3-way cartridge that is normally open from port 3 to port 4. When port 1 is vented, the pressure differential between port 3 and port 1 exceeds the spring force causing the valve to shift, thereby connecting port 3 to port 2.

**TECHNICAL DATA**

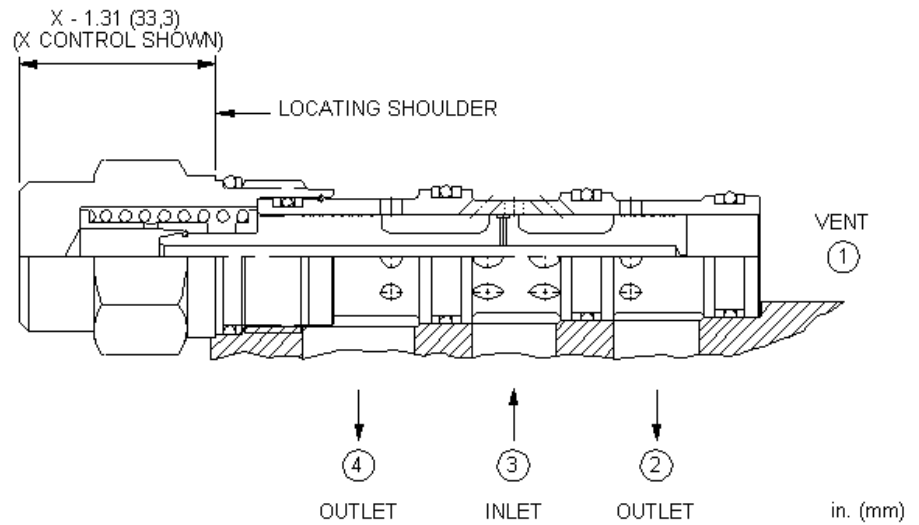
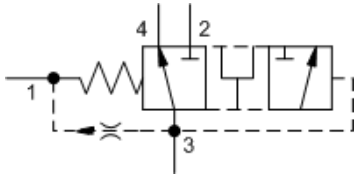
NOTE: DATA MAY VARY BY CONFIGURATION. SEE CONFIGURATION SECTION.

Maximum Operating Pressure	350 bar
Nominal Vent Flow	0,38 L/min.
Seal kit - Cartridge	Buna: 990031007
Seal kit - Cartridge	Polyurethane: 990031002
Seal kit - Cartridge	Viton: 990031006

**CONFIGURATION OPTIONS**

**Model Code Example: DSCYXEN**

CONTROL	(X)	MINIMUM CONTROL PRESSURE	(E)	SEAL MATERIAL	(N)
<b>X</b> Not Adjustable		<b>E</b> 75 psi (5 bar)		<b>N</b> Buna-N	
		C 30 psi (2 bar)		V Viton	
		D 50 psi (3,5 bar)			



This vent-to-shift diverter valve is a 2-position, 3-way cartridge that is normally open from port 3 to port 4. When port 1 is vented, the pressure differential between port 3 and port 1 exceeds the spring force causing the valve to shift, thereby connecting port 3 to port 2.

**TECHNICAL DATA**

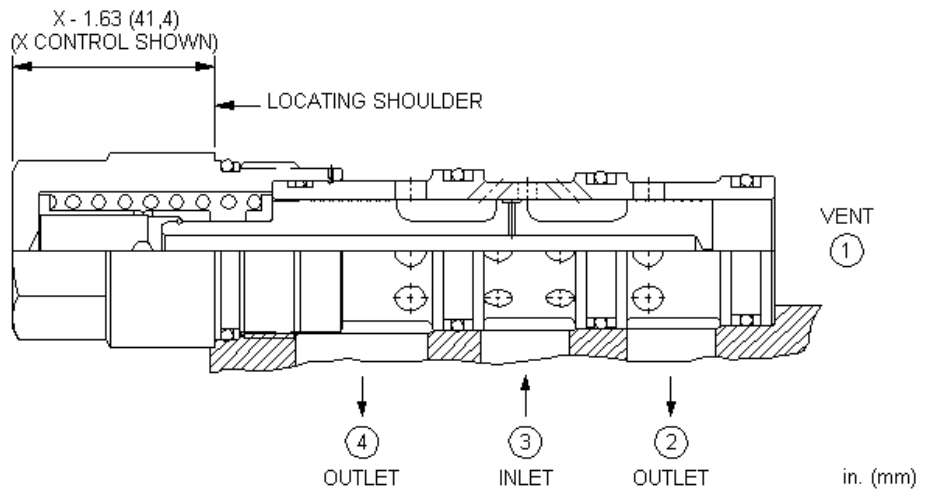
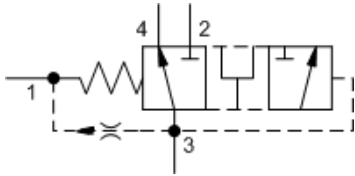
NOTE: DATA MAY VARY BY CONFIGURATION. SEE CONFIGURATION SECTION.

Maximum Operating Pressure	350 bar
Nominal Vent Flow	0,38 L/min.
Seal kit - Cartridge	Buna: 990032007
Seal kit - Cartridge	Polyurethane: 990032002
Seal kit - Cartridge	Viton: 990032006

**CONFIGURATION OPTIONS**

**Model Code Example: DSEYXEN**

CONTROL	(X) MINIMUM CONTROL PRESSURE	(E) SEAL MATERIAL	(N) MATERIAL/COATING
<b>X</b> Not Adjustable	<b>E</b> 75 psi (5 bar) C 30 psi (2 bar) D 50 psi (3,5 bar)	<b>N</b> Buna-N V Viton	Standard Material/Coating /AP Stainless Steel, Passivated



This vent-to-shift diverter valve is a 2-position, 3-way cartridge that is normally open from port 3 to port 4. When port 1 is vented, the pressure differential between port 3 and port 1 exceeds the spring force causing the valve to shift, thereby connecting port 3 to port 2.

**TECHNICAL DATA**

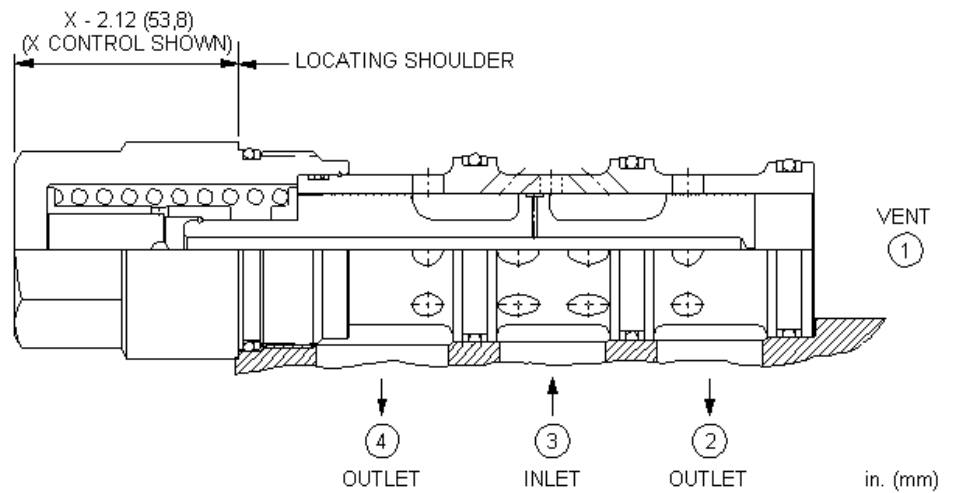
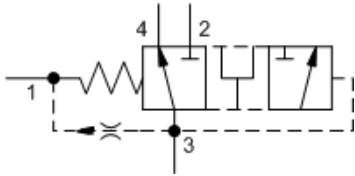
NOTE: DATA MAY VARY BY CONFIGURATION. SEE CONFIGURATION SECTION.

Maximum Operating Pressure	350 bar
Nominal Vent Flow	0,60 L/min.
Seal kit - Cartridge	Buna: 990033007
Seal kit - Cartridge	Polyurethane: 990033002
Seal kit - Cartridge	Viton: 990033006

**CONFIGURATION OPTIONS**

**Model Code Example: DSGYXEN**

CONTROL	(X) MINIMUM CONTROL PRESSURE	(E) SEAL MATERIAL	(N)
<b>X</b> Not Adjustable	<b>E</b> 75 psi (5 bar)	<b>N</b> Buna-N	
	<b>C</b> 30 psi (2 bar)	<b>V</b> Viton	
	<b>D</b> 50 psi (3,5 bar)		



This vent-to-shift diverter valve is a 2-position, 3-way cartridge that is normally open from port 3 to port 4. When port 1 is vented, the pressure differential between port 3 and port 1 exceeds the spring force causing the valve to shift, thereby connecting port 3 to port 2.

**TECHNICAL DATA**

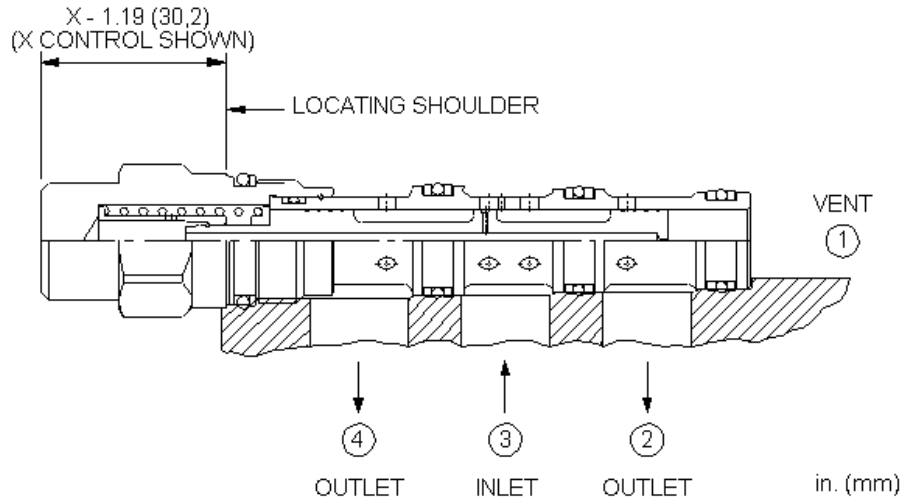
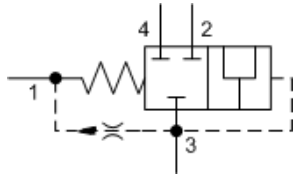
NOTE: DATA MAY VARY BY CONFIGURATION. SEE CONFIGURATION SECTION.

Maximum Operating Pressure	350 bar
Nominal Vent Flow	0,60 L/min.
Seal kit - Cartridge	Buna: 990034007
Seal kit - Cartridge	Polyurethane: 990034002
Seal kit - Cartridge	Viton: 990034006

**CONFIGURATION OPTIONS**

**Model Code Example: DSIYXEN**

CONTROL	(X) MINIMUM CONTROL PRESSURE	(E) SEAL MATERIAL	(N) MATERIAL/COATING
<b>X</b> Not Adjustable	<b>E</b> 75 psi (5 bar) C 30 psi (2 bar) D 50 psi (3,5 bar)	<b>N</b> Buna-N V Viton	Standard Material/Coating /AP Stainless Steel, Passivated



This is a vent-to-shift, 2-position, diverter valve that is normally closed. When port 1 is vented, the pressure differential between port 3 and port 1 exceeds the spring force causing the valve to shift, thereby connecting port 3 with ports 2 and 4.

**TECHNICAL DATA**

NOTE: DATA MAY VARY BY CONFIGURATION. SEE CONFIGURATION SECTION.

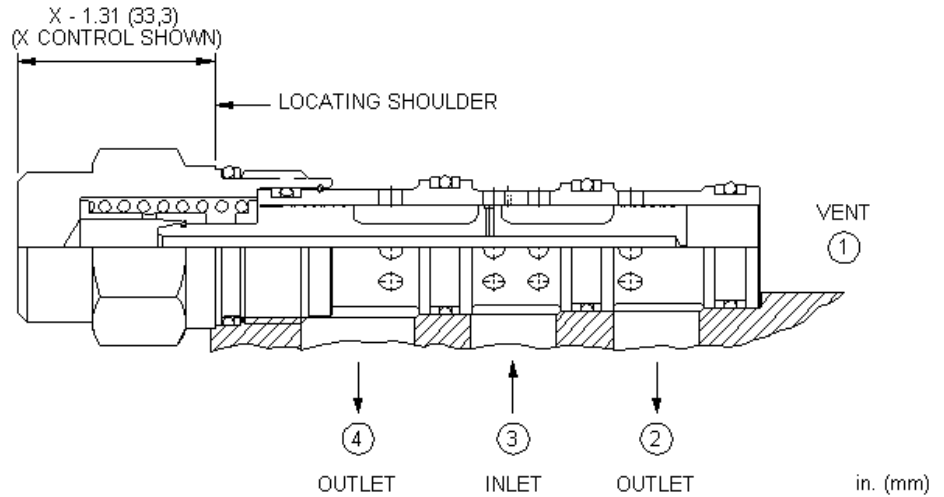
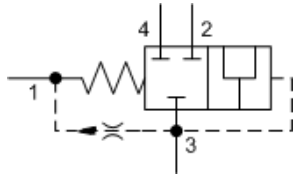
Maximum Operating Pressure	350 bar
Nominal Vent Flow	0,38 L/min.
Seal kit - Cartridge	Buna: 990031007
Seal kit - Cartridge	Polyurethane: 990031002
Seal kit - Cartridge	Viton: 990031006

**CONFIGURATION OPTIONS**

**Model Code Example: DSCXXEN**

CONTROL	(X) MINIMUM CONTROL PRESSURE	(E) SEAL MATERIAL	(N)
<b>X</b> Not Adjustable	<b>E</b> 75 psi (5 bar)	<b>N</b> Buna-N	
	<b>C</b> 30 psi (2 bar)	<b>V</b> Viton	
	<b>D</b> 50 psi (3,5 bar)		





This is a vent-to-shift, 2-position, diverter valve that is normally closed. When port 1 is vented, the pressure differential between port 3 and port 1 exceeds the spring force causing the valve to shift, thereby connecting port 3 with ports 2 and 4.

**TECHNICAL DATA**

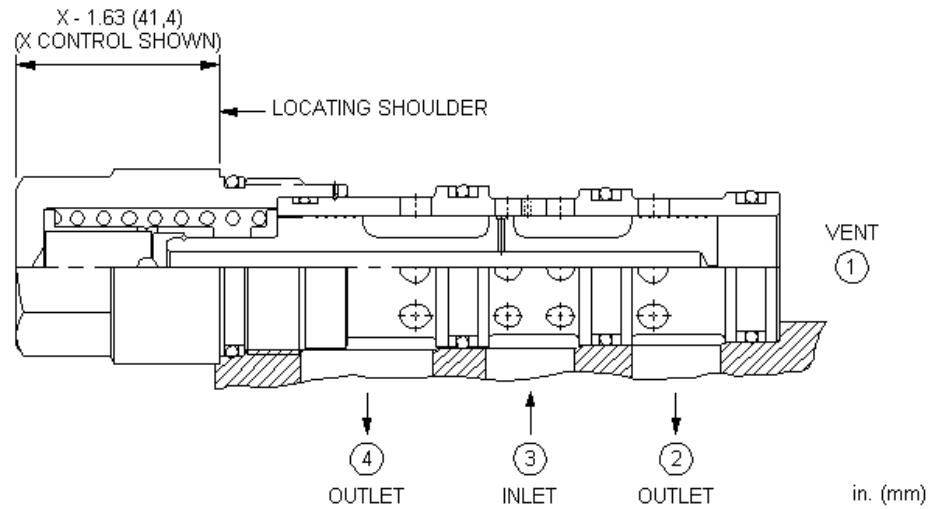
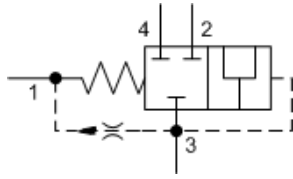
NOTE: DATA MAY VARY BY CONFIGURATION. SEE CONFIGURATION SECTION.

Maximum Operating Pressure	350 bar
Nominal Vent Flow	0,38 L/min.
Seal kit - Cartridge	Buna: 990032007
Seal kit - Cartridge	Polyurethane: 990032002
Seal kit - Cartridge	Viton: 990032006

**CONFIGURATION OPTIONS**

**Model Code Example: DSEXEN**

CONTROL	(X) MINIMUM CONTROL PRESSURE	(E) SEAL MATERIAL	(N)
<b>X</b> Not Adjustable	<b>E</b> 75 psi (5 bar)	<b>N</b> Buna-N	
	C 30 psi (2 bar)	V Viton	
	D 50 psi (3,5 bar)		



This is a vent-to-shift, 2-position, diverter valve that is normally closed. When port 1 is vented, the pressure differential between port 3 and port 1 exceeds the spring force causing the valve to shift, thereby connecting port 3 with ports 2 and 4.

**TECHNICAL DATA**

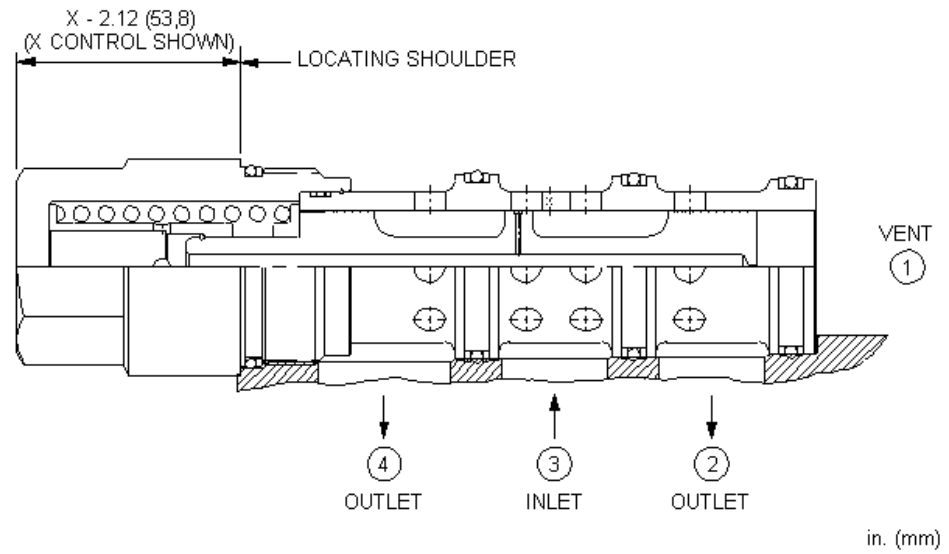
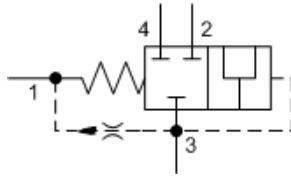
NOTE: DATA MAY VARY BY CONFIGURATION. SEE CONFIGURATION SECTION.

Maximum Operating Pressure	350 bar
Nominal Vent Flow	0,60 L/min.
Seal kit - Cartridge	Buna: 990033007
Seal kit - Cartridge	Polyurethane: 990033002
Seal kit - Cartridge	Viton: 990033006

**CONFIGURATION OPTIONS**

**Model Code Example: DSGXXEN**

CONTROL	(X) MINIMUM CONTROL PRESSURE	(E) SEAL MATERIAL	(N)
<b>X</b> Not Adjustable	<b>E</b> 75 psi (5 bar)	<b>N</b> Buna-N	
	<b>C</b> 30 psi (2 bar)	<b>V</b> Viton	
	<b>D</b> 50 psi (3,5 bar)		



This is a vent-to-shift, 2-position, diverter valve that is normally closed. When port 1 is vented, the pressure differential between port 3 and port 1 exceeds the spring force causing the valve to shift, thereby connecting port 3 with ports 2 and 4.

**TECHNICAL DATA**

NOTE: DATA MAY VARY BY CONFIGURATION. SEE CONFIGURATION SECTION.

Maximum Operating Pressure	350 bar
Nominal Vent Flow	0,60 L/min.
Seal kit - Cartridge	Buna: 990034007
Seal kit - Cartridge	Polyurethane: 990034002
Seal kit - Cartridge	Viton: 990034006

**CONFIGURATION OPTIONS**

**Model Code Example: DSIXXEN**

CONTROL	(X) MINIMUM CONTROL PRESSURE	(E) SEAL MATERIAL	(N)
<b>X</b> Not Adjustable	<b>E</b> 75 psi (5 bar)	<b>N</b> Buna-N	
	C 30 psi (2 bar)	V Viton	
	D 50 psi (3,5 bar)		

# smart SOLUTIONS for DEMANDING applications



[www.sunhydraulics.com](http://www.sunhydraulics.com)

Sun Hydraulics Headquarters  
Sarasota, Florida USA  
+1 941 362 1200

Sun Hydraulics Limited  
Coventry England  
+44 2476 217 400  
[sales@sunuk.com](mailto:sales@sunuk.com)

Sun Hydraulik GmbH  
Erkelenz Germany  
+49 2431 80910  
[sales@sunhydraulik.de](mailto:sales@sunhydraulik.de)

Sun Hydraulics Corp. (India)  
Bangalore India  
+91 8028 456325  
[sunindiainfo@sunhydraulics.com](mailto:sunindiainfo@sunhydraulics.com)

Sun Hydraulics Korea Corp.  
Incheon Korea  
+82 3281 31350  
[sales@sunhydraulics.co.kr](mailto:sales@sunhydraulics.co.kr)

Sun Hydraulics China Co. Ltd.  
Shanghai P.R. China  
+86 2162 375885  
[sunchinainfo@sunhydraulics.com](mailto:sunchinainfo@sunhydraulics.com)

Sun Hydraulics Corp. (S.America)  
Rosario, Argentina  
+54 9 341 584 3075  
[ventas@sunhydraulics.com](mailto:ventas@sunhydraulics.com)